

FIXING KIT

BFK-BASIN-KIT

WALL MOUNTED WASH BASIN FIXING KIT

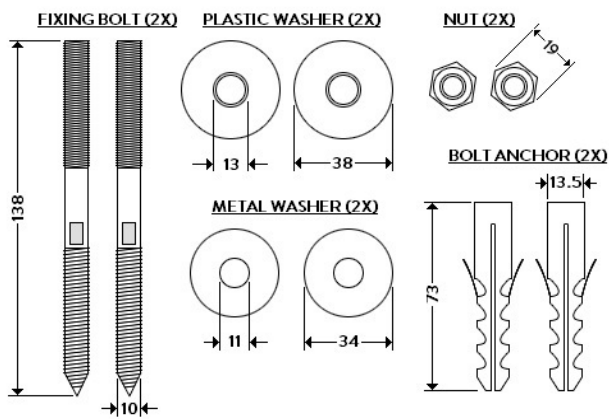
STAINLESS STEEL



**BOX CONTENTS**

2X HANGER BOLT, 2X SCREW ANCHOR, 2X FIXING NUT, 2X METAL WASHER, 2X PLASTIC WASHER

**TECHNICAL DRAWING**



**SPECIFICATIONS**

Brand	BAGNODESIGN
Range	FIXING KIT
Product code	BFK-BASIN-KIT
Finish/Colour	STAINLESS STEEL
Product type	FIXING KIT
Material	METAL

**TECHNICAL INFORMATION**

FIXING KIT  
FOR WALL MOUNTED WASH BASIN

For more information about this product or our full product range please contact us:

[info@sanipexgroup.com](mailto:info@sanipexgroup.com) | +971 (0) 4 507 6000 | [www.sanipexgroup.com](http://www.sanipexgroup.com)