

MEZZANINE

BDA-MEZ-715-CP

MEZZANINE WALL MOUNTED TOILET BRUSH AND HOLDER CP

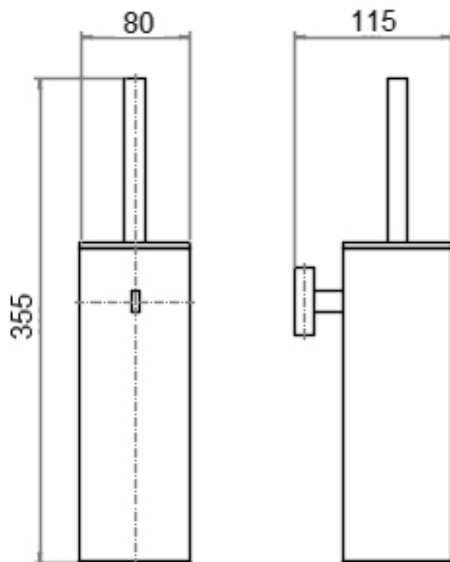
CHROME



BOX CONTENTS

TOILET BRUSH + HOLDER, FIXING KIT

TECHNICAL DRAWING



SPECIFICATIONS

Brand	BAGNODESIGN
Range	MEZZANINE
Product Code	BDA-MEZ-715-CP
Finish / Colour	CHROME
Material	BRASS OTHER
Product Type	TOILET BRUSH HOLDER
W X D X H	80 X 115 X 355
Net Weight (KG)	1.8
How Many Fixing	SINGLE FIXING POINT
Material1	BRASS
Mounting Type	WALL MOUNTED

For more information about this product or our full product range please contact us:

[info@sanipexgroup.com](mailto:info@sanipexgroup.com) | +971 (0) 4 507 6000 | [www.sanipexgroup.com](http://www.sanipexgroup.com)